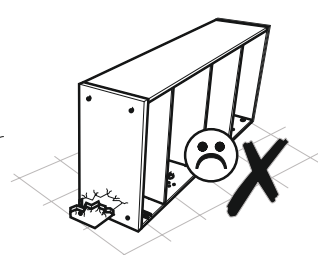
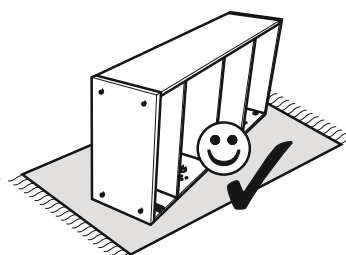
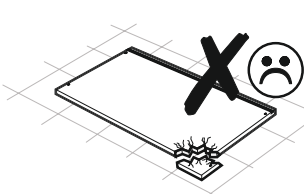
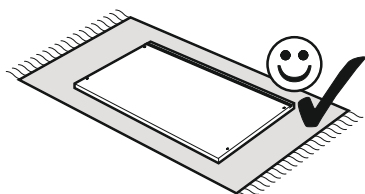
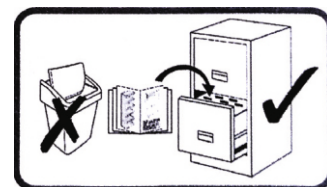
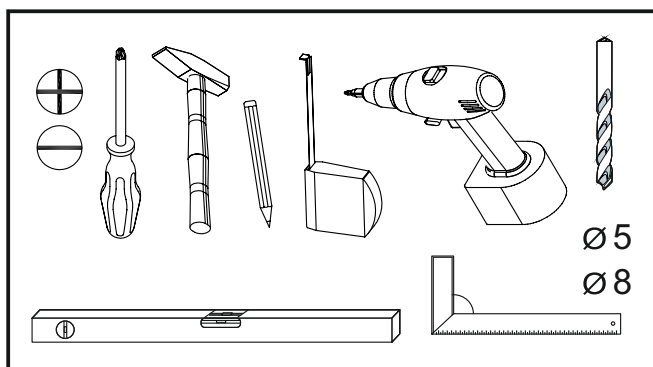
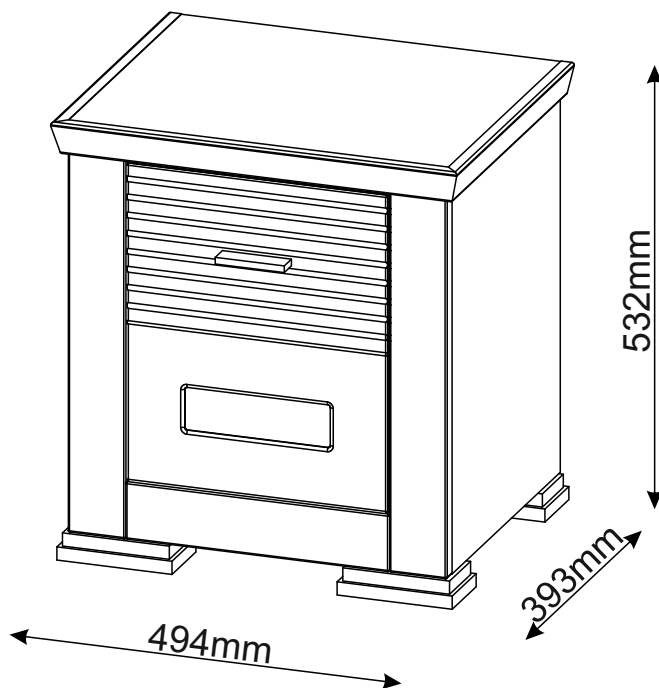
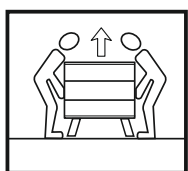
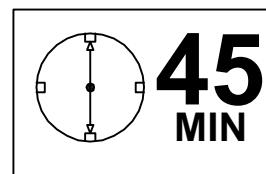
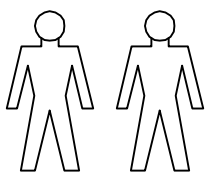

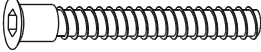




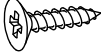
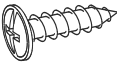
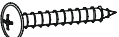
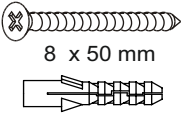
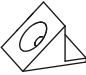

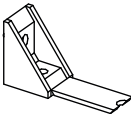
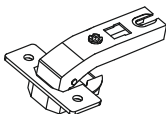
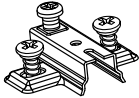
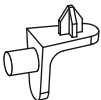

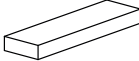



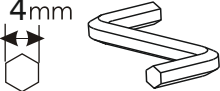
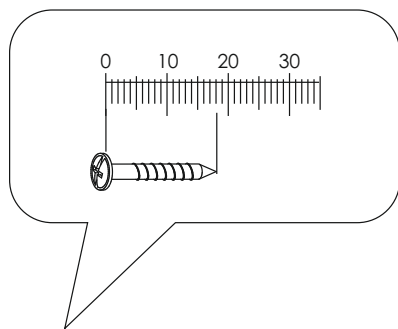


Agnes Bedside cabinet




Agnes Bedside cabinet

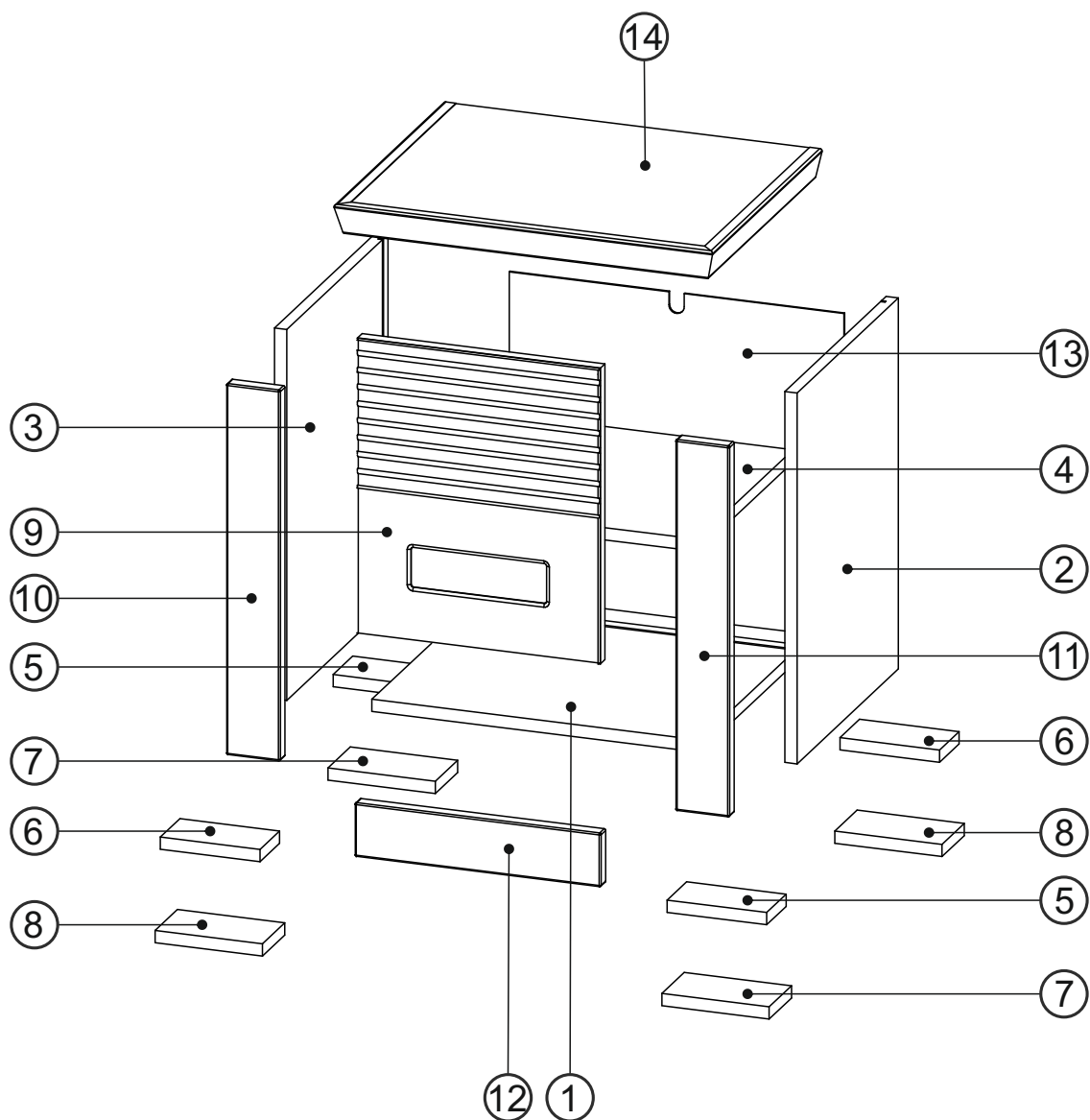
A0 8 x 30mm 	x8	B2 7 x 70 mm 	x4	C0 	x4
C1  16mm	x8	C2 	x8	D0 3 x 15 mm 	x16
D10 4 x 16 mm 	x4	D17  3,5 x 16 mm	x26	D18  4.2 x 30 mm	x6
E4 5 x 50 mm 8 x 50 mm 	x1	F0 	x8	F1 	x6
F2 	x4	G8A 	x2	G8B 	x2
H2 	x4	I1 	x1	L35 	x1
M0 	x2	U0 	x1	U2 	x8
Z 4mm 	x1				






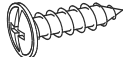

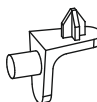
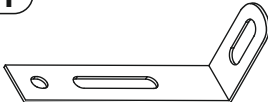
Agnes Bedside cabinet

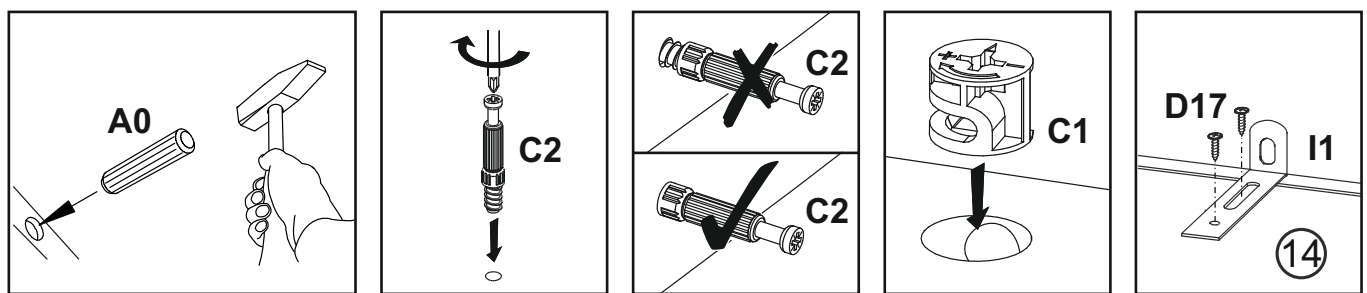
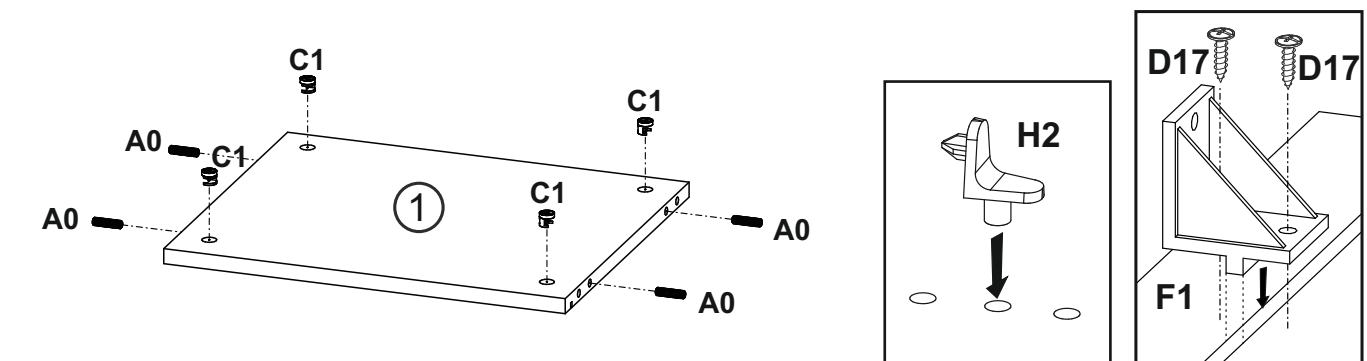
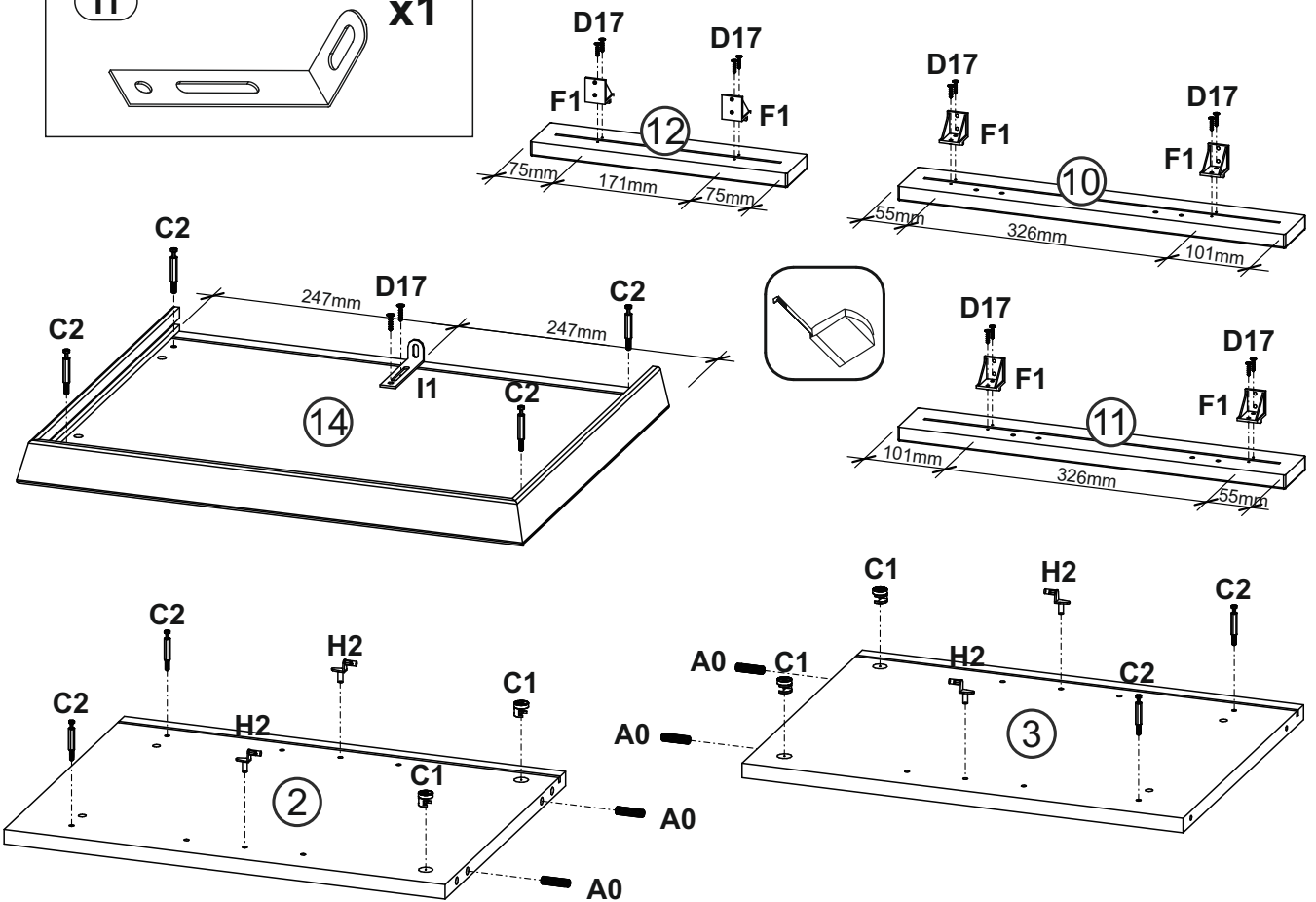
①	428	362.5	16	x1	1/1
②	484	363	16	x1	1/1
③	484	363	16	x1	1/1
④	428	341	16	x1	1/1
⑤	130	70	16	x2	1/1
⑥	130	70	16	x2	1/1
⑦	140	80	16	x2	1/1
⑧	140	80	16	x2	1/1

⑨	386	317	16	x1	1/1
⑩	482	70	18	x1	1/1
⑪	482	70	18	x1	1/1
⑫	321	70	18	x1	1/1
⑬	424	437	3	x1	1/1
⑭	494	393	40	x1	1/1
					1/1

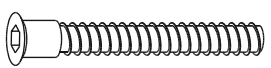

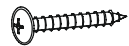
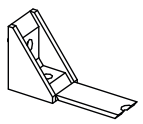

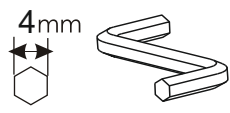


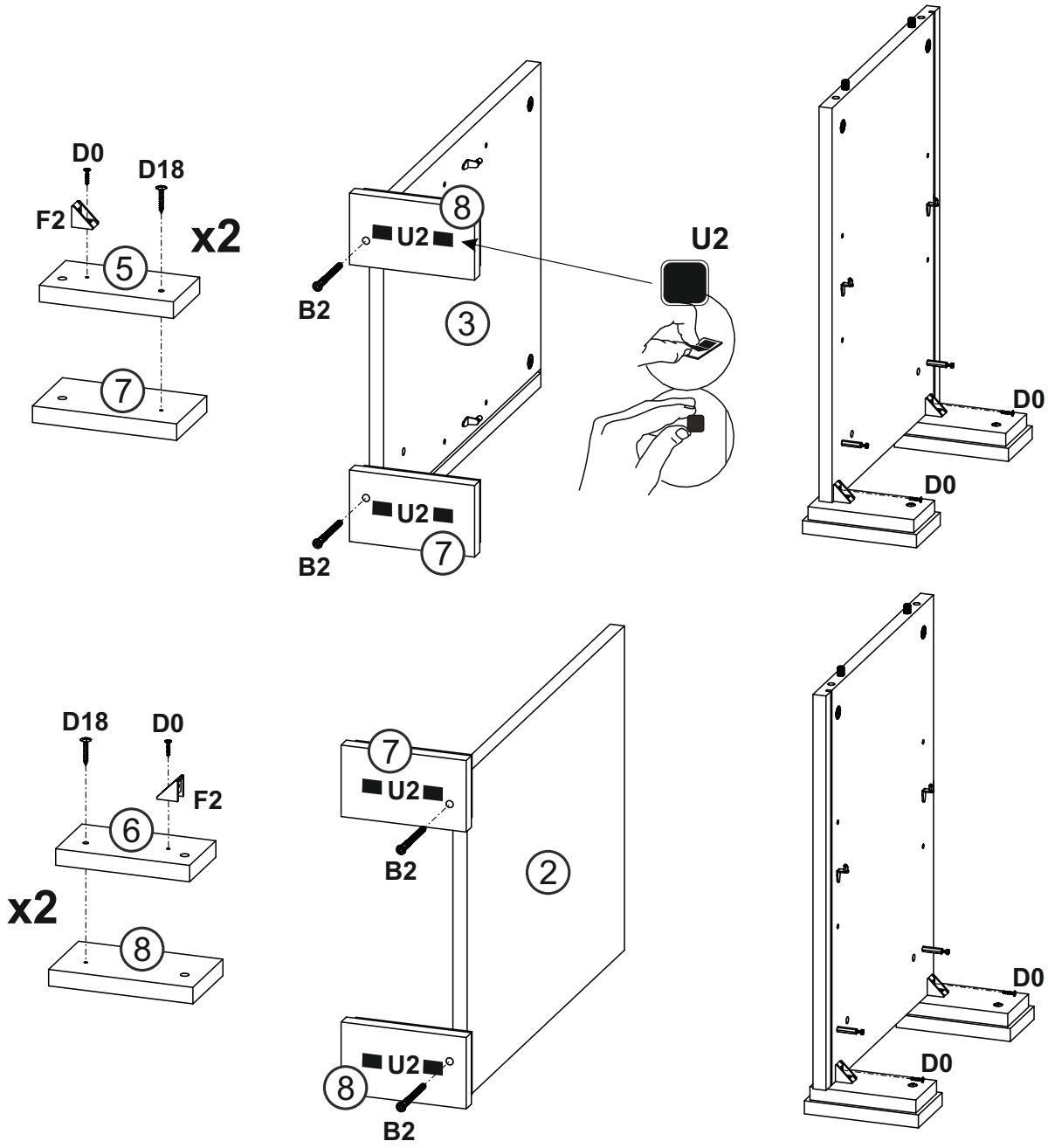
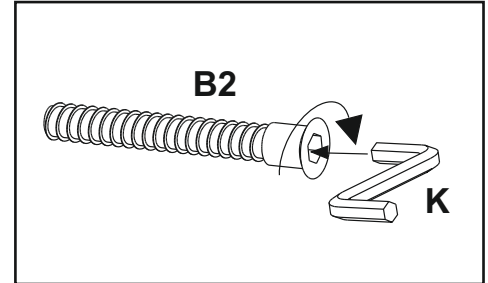
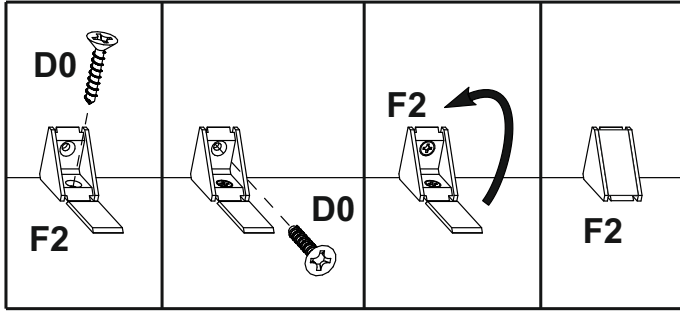
1

A0 8 x 30mm 	x8	C1 16mm 	x8	C2 	x8
D17  3,5 x 16 mm	x14	F1 	x6	H2 	x4
I1 	x1				

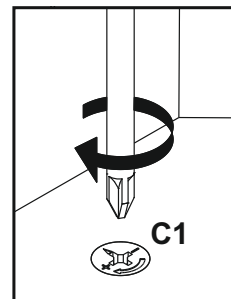
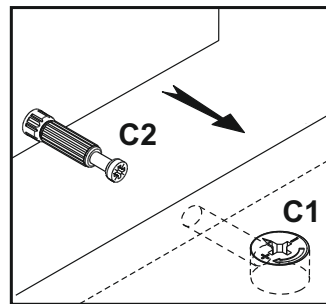
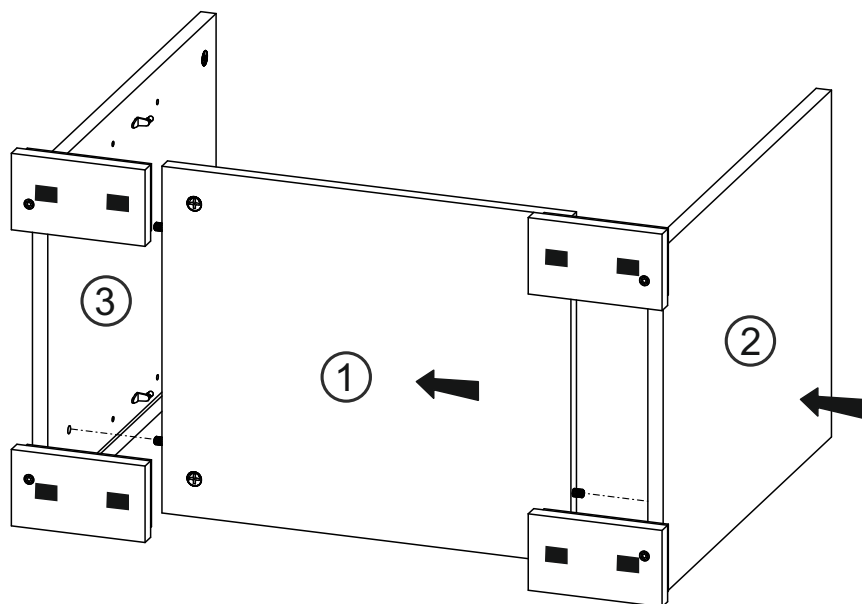


2

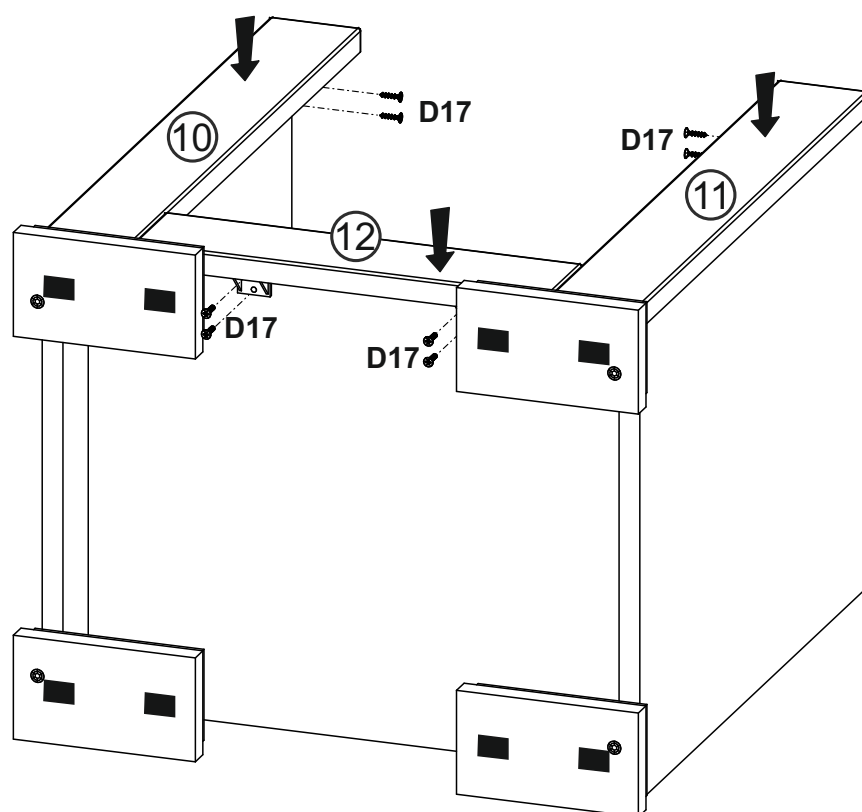
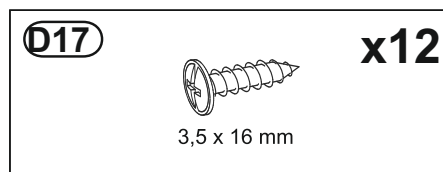
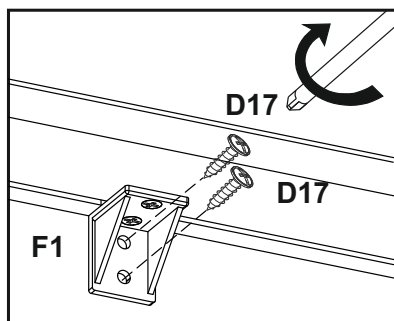
B2 7 x 70 mm 	x4	D0 3 x 15 mm 	x8	D18 4.2 x 30 mm 	x4
F2 	x4	U2 	x8	Z 4mm 	x1



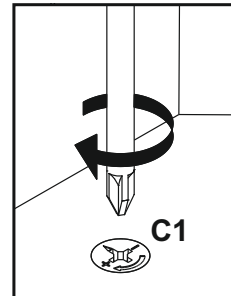
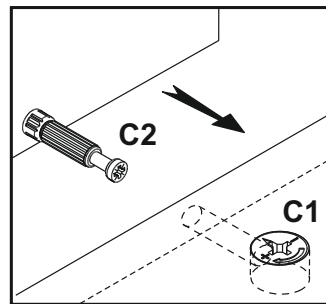
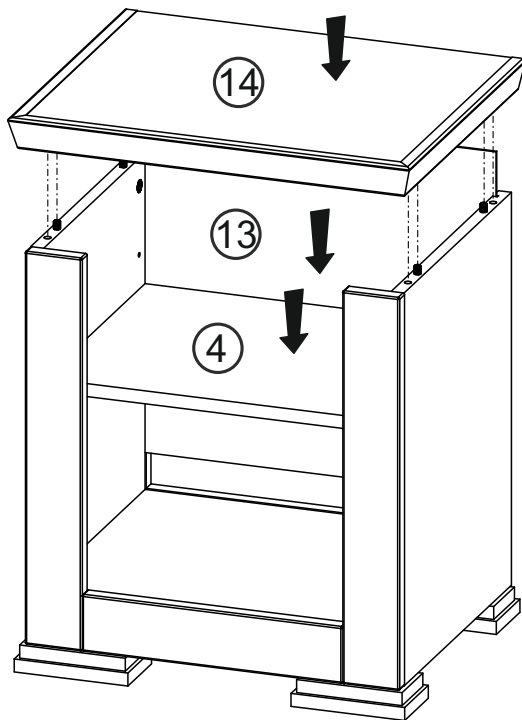
3





4

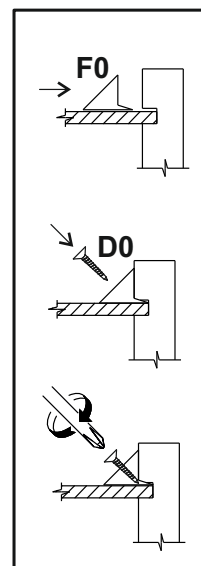
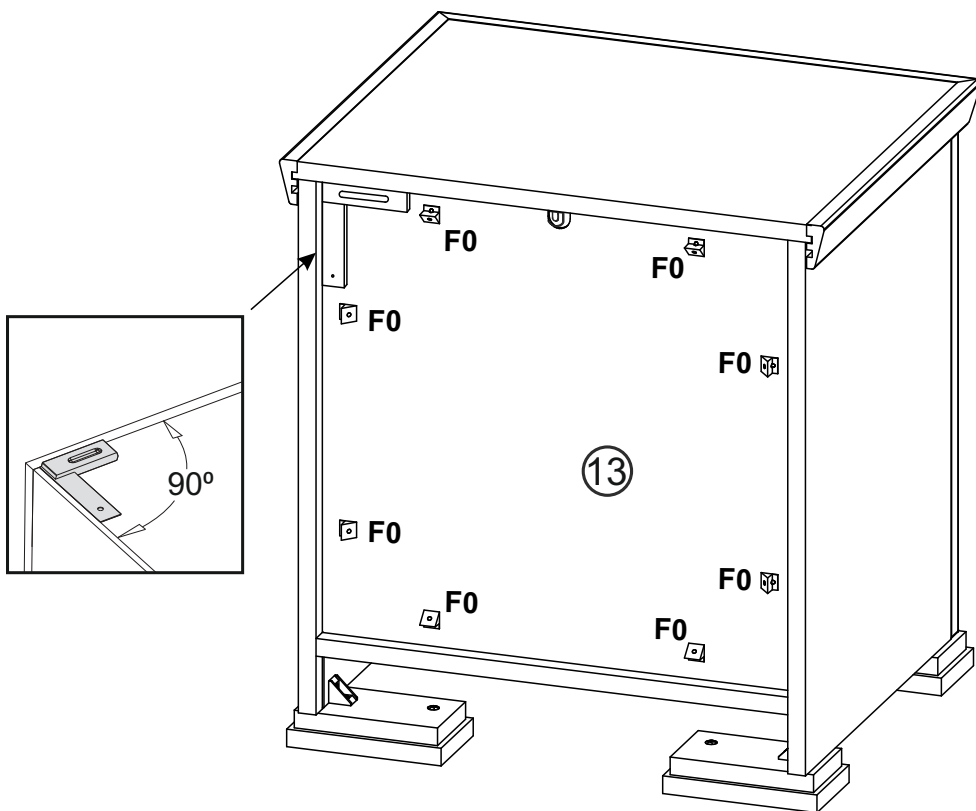


5

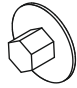
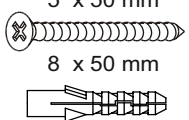


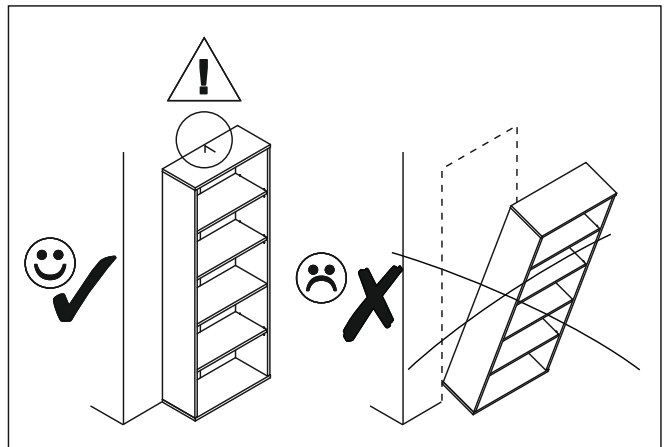
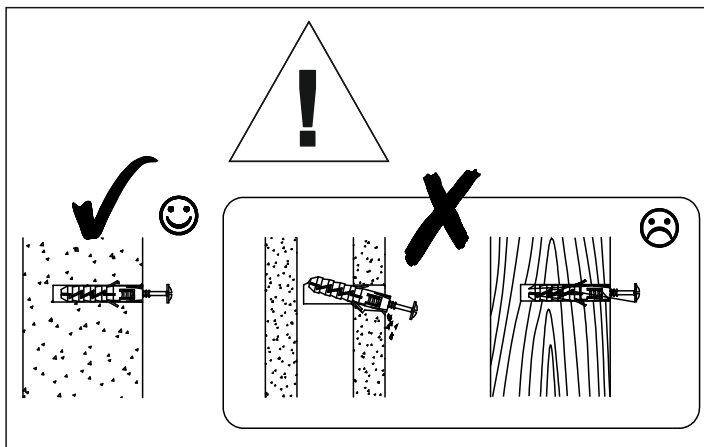
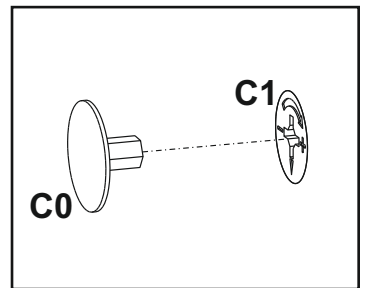
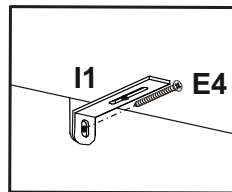
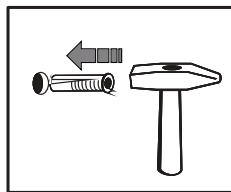
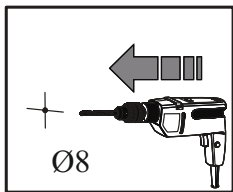
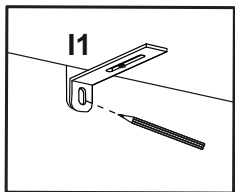
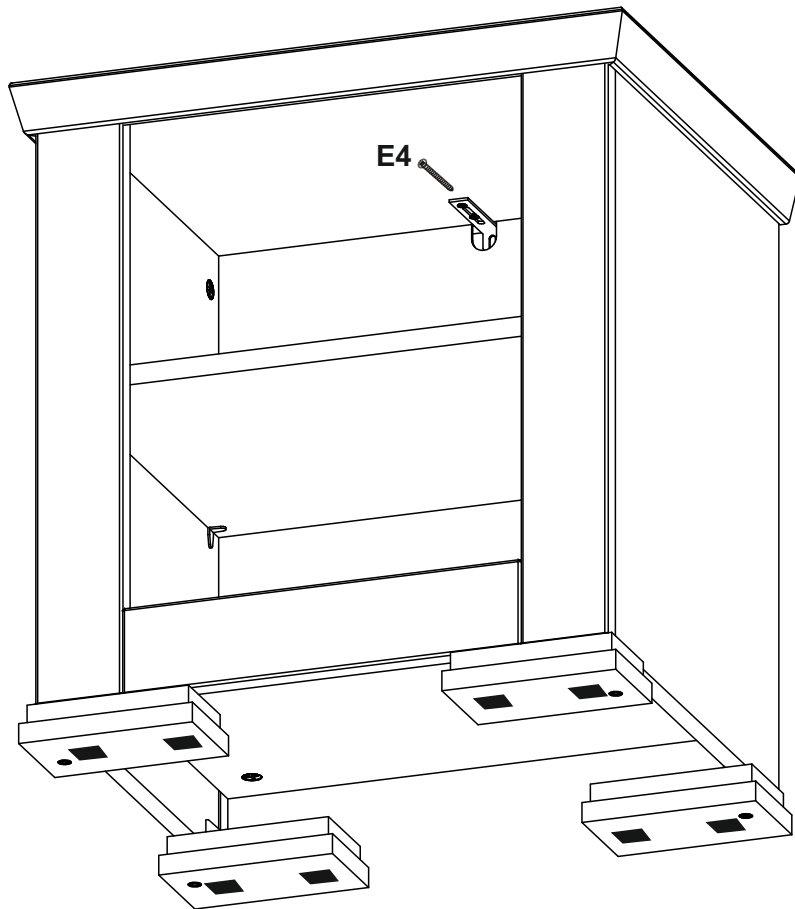
6

(D0) 3 x 15 mm 	x8	(F0) 	x8
---	-----------	---	-----------



7

C0 	x4	E4 	x1
--	-----------	--	-----------

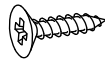


8R

D10

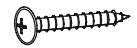
4 x 16 mm

x4



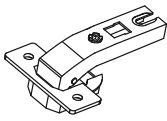
D18

x2



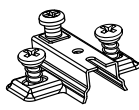
4.2 x 30 mm

G8A



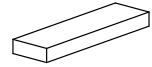
x2

G8B



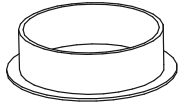
x2

L35



x1

M0

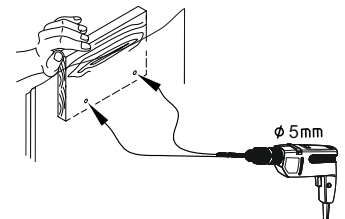
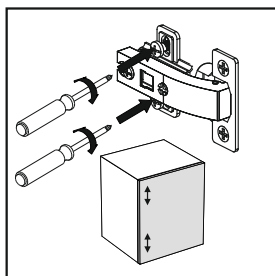
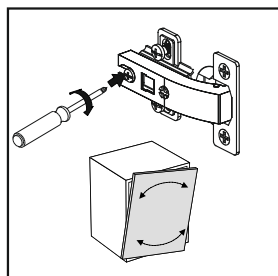
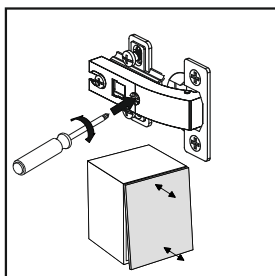
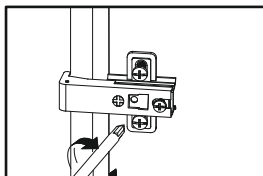
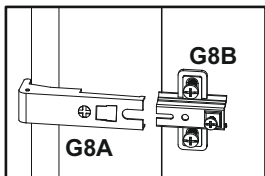
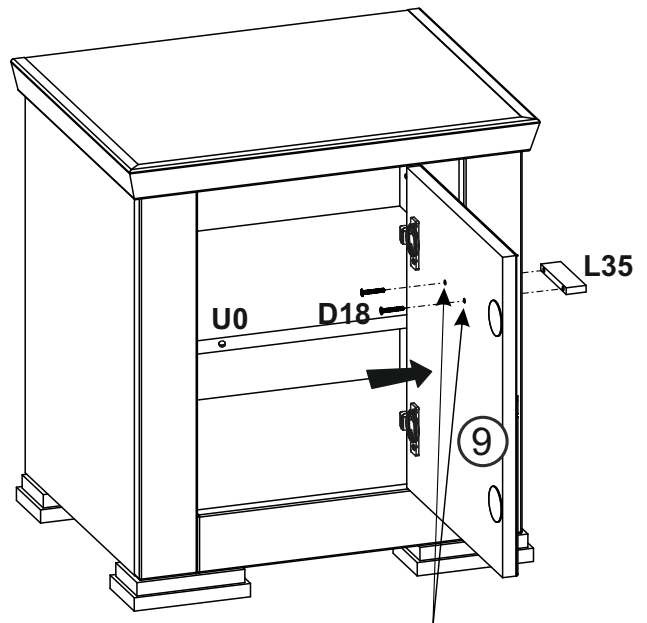
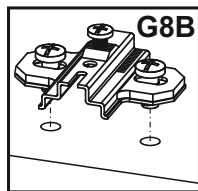
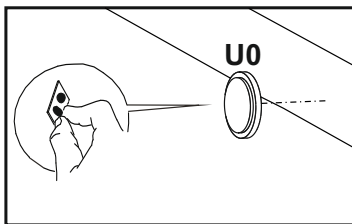
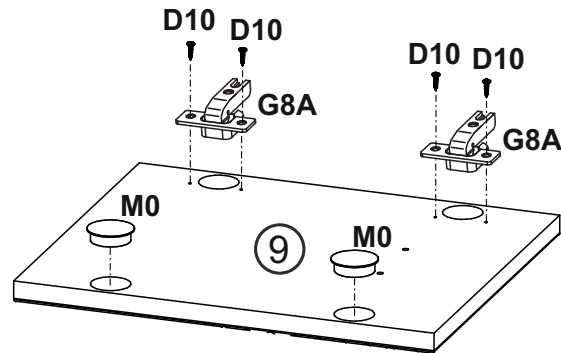
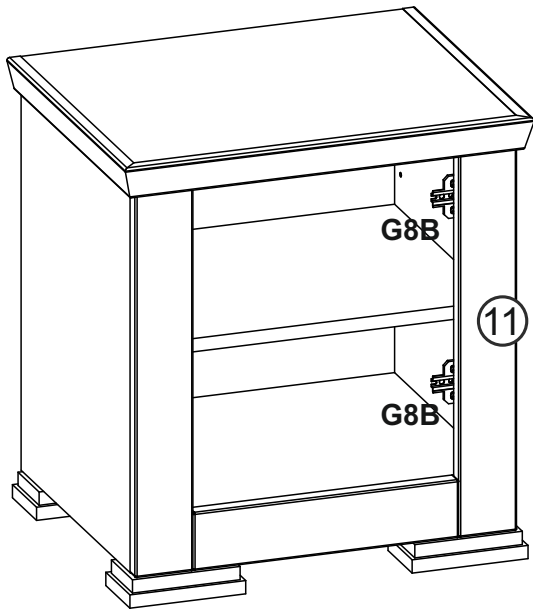
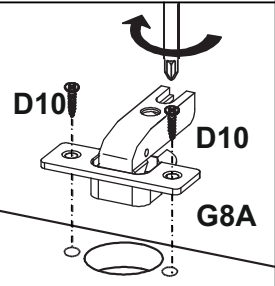


x2

U0



x1

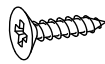


8L

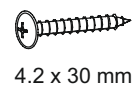
D10

4 x 16 mm

x4

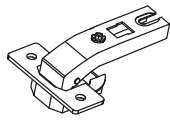


D18



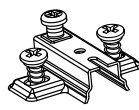
x2

G8A



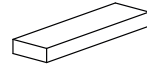
x2

G8B



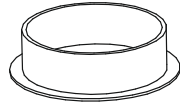
x2

L35



x1

M0



x2

U0



x1

